

**PLATE MOUNTED  
AXIAL FANS  
PA - Plate Axial  
PAP - Compact  
High Efficiency**



# PLATE AXIAL FANS

## PA - Plate Mounted Axial Fan



### Description

The **PA** range are axial fans suitable for wall or panel installation in residential, commercial or industrial buildings. The range consists of models with impeller diameters from 200mm to 710mm (models between 450mm and 710mm - with the exception of the 508 and 568 - are not available for use within the EU).

These fans are suitable for operation in clean air in the temperatures ranging from -15°C to +50°C.

The inlet cone has been designed to reduce noise and increase efficiency.

### Construction

- Supporting frame in drawn galvanized sheet steel, with radius inlet cone. Sizes 630 and 710 with supporting frame in drawn steel sheet, with epoxy coated radius inlet cone.
- Impeller with aerofoil profile blades in polymer or die-cast aluminium with die-cast aluminium hub. Variable pitch angle in still position with setting means. Balanced according to ISO 1940.
- Impeller is directly coupled to motor shaft.
- Airflow from motor to impeller.
- Inlet protection guard and motor support in steel rod, epoxy coated. Complies with EN ISO 12499.

### Motor

- PA 200 and 254 - motors are IP 44, class B
- PA 252, 310/710 - asynchronous three-phase or single-phase motors according to standards IEC 60034, IEC 60072, EMC 2014/30/UE and LVD 2014/35/UE, CE marked, IP 55, class F.

### Accessories

- External Gravity shutter
- Spacer protected against atmospheric agents
- Impeller side protection guard manufactured according to UNI ISO 12499 standard and protected against atmospheric agents

### Also available

- Impeller with airfoil blades in die-cast aluminium alloy.
- Reverse airflow version.



# PLATE AXIAL FANS

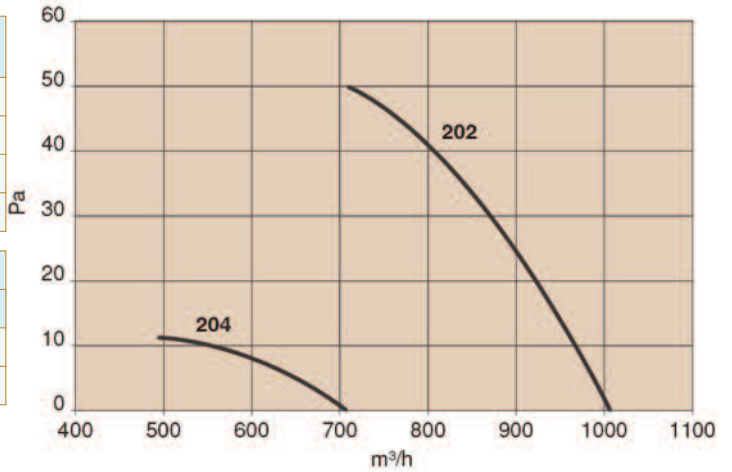
## PA - Plate Mounted Axial Fan

### Technical Data

Air performances measured according to EN ISO 5801/AMCA 210 standard with air density of 1.2 kg/m<sup>3</sup> specific weight. Power supply 230V/1Ph/50Hz or 400V/3Ph/50Hz. Sound pressure dB(A) at 3 metres from inlet side.

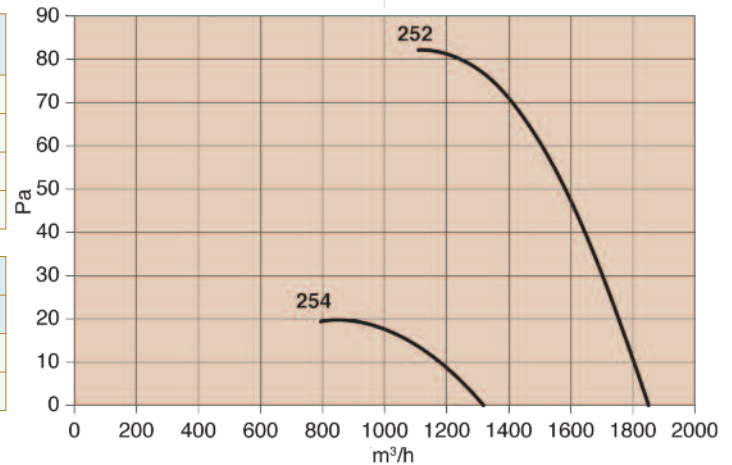
Model No	Phase	Poles	Power kW	In Amps	IP/CL	Mot (Gr)
PA202M	M	2	0.09	0.52	44/B	5032
PA202T	T	2	0.05	0.17	44/B	5032
PA204M	M	4	0.09	0.38	44/B	5034
PA204T	T	4	0.03	0.16	44/B	5034

Mid Octave Frequency Band / Hz - dB(A)									
Model	63	125	250	500	1000	2000	4000	8000	Total
PA202	32.3	40.3	44.3	42.3	47.6	47.3	41.3	29.3	52.6
PA204	17.2	25.2	29.2	27.2	32.5	32.2	26.2	14.2	37.5



Model No	Phase	Poles	Power kW	In Amps	IP/CL	Mot (Gr)
PA252M	M	2	0.12	1.20	55/F	56
PA252T	T	2	0.12	0.50	55/F	56
PA254M	M	4	0.09	0.35	55/F	5034
PA254T	T	4	0.03	0.16	55/F	5034

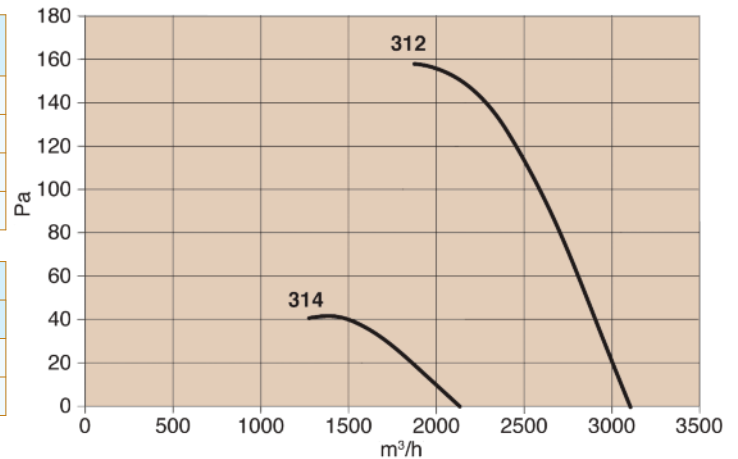
Mid Octave Frequency Band / Hz - dB(A)									
Model	63	125	250	500	1000	2000	4000	8000	Total
PA252	-	48.0	54.6	59.8	60.9	54.8	49.8	42	67.2
PA254	-	32.9	39.5	44.7	45.8	39.7	34.7	26.9	52.1



Model No	Phase	Poles	Power kW	In Amps	IP/CL	Mot (Gr)
PA312M*	M	2	0.25	2.10	55/F	63
PA312T*	T	2	0.25	0.90	55/F	63
PA314M	M	4	0.09	1.00	55/F	56
PA314T	T	4	0.09	0.60	55/F	56

\* models not available for EU market

Mid Octave Frequency Band / Hz - dB(A)									
Model	63	125	250	500	1000	2000	4000	8000	Total
PA312	45.3	49.3	57.3	58.3	61.3	62.3	57.3	45.3	67
PA314	30.2	34.2	42.2	43.2	46.2	47.2	42.2	30.2	51.9





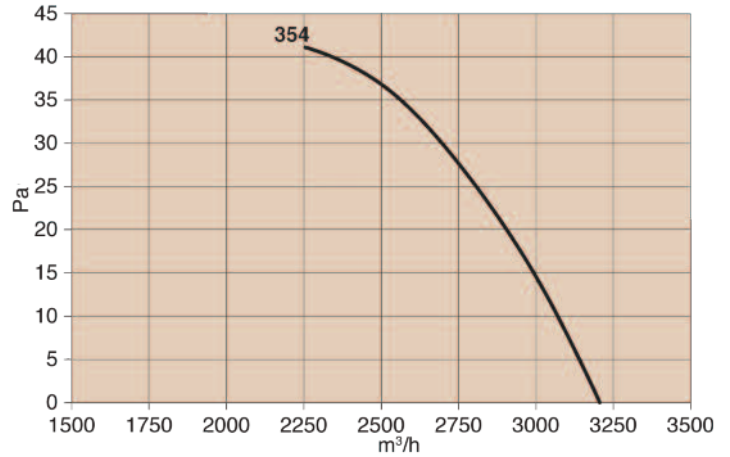
# PLATE AXIAL FANS

## PA - Plate Mounted Axial Fan

### Technical Data

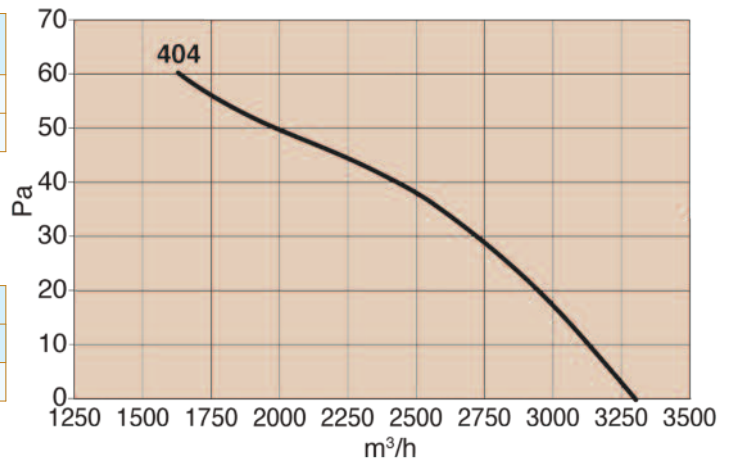
Air performances measured according to EN ISO 5801/AMCA 210 standard with air density of 1.2 kg/m<sup>3</sup> specific weight. Power supply 230V/1Ph/50Hz or 400V/3Ph/50Hz. Sound pressure dB(A) at 3 metres from inlet side.

Model No	Phase	Poles	Power kW	In Amps	IP/CL	Mot (Gr)
PA354M	M	4	0.12	1.10	55/F	63
PA354T	T	4	0.12	0.60	55/F	63



Mid Octave Frequency Band / Hz - dB(A)									
Model	63	125	250	500	1000	2000	4000	8000	Total
PA354	33.2	35.2	45.2	47.2	47.7	51.2	47.2	36.2	55.3

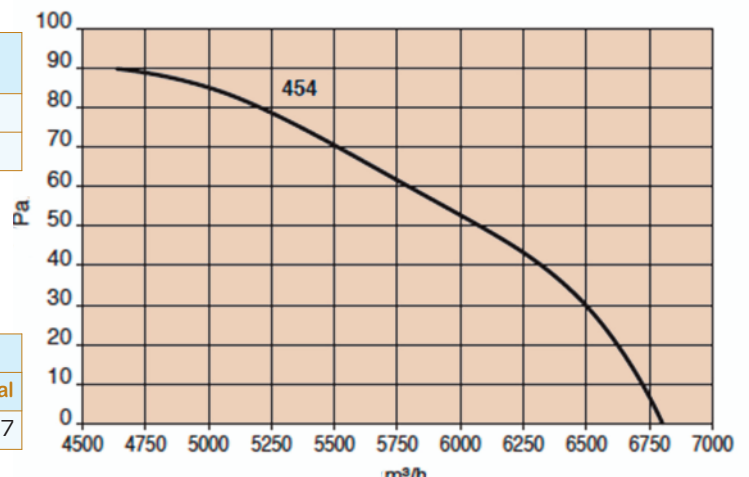
Model No	Phase	Poles	Power kW	In Amps	IP/CL	Mot (Gr)
PA404M	M	4	0.12	1.10	55/F	63
PA404T	T	4	0.12	0.60	55/F	63



Mid Octave Frequency Band / Hz - dB(A)									
Model	63	125	250	500	1000	2000	4000	8000	Total
PA404	37.2	39.2	44.2	47.2	51.2	52.2	38.2	39.2	56.1

Model No	Phase	Poles	Power kW	In Amps	IP/CL	Mot (Gr)
PA454M*	M	4	0.37	3.20	55/F	71
PA454T*	T	4	0.37	1.10	55/F	71

\* models not available for EU market



Mid Octave Frequency Band / Hz - dB(A)									
Model	63	125	250	500	1000	2000	4000	8000	Total
PA454	47.2	48.2	53.2	57.2	60.2	61.2	56.2	49.2	65.7



# PLATE AXIAL FANS

## PA - Plate Mounted Axial Fan

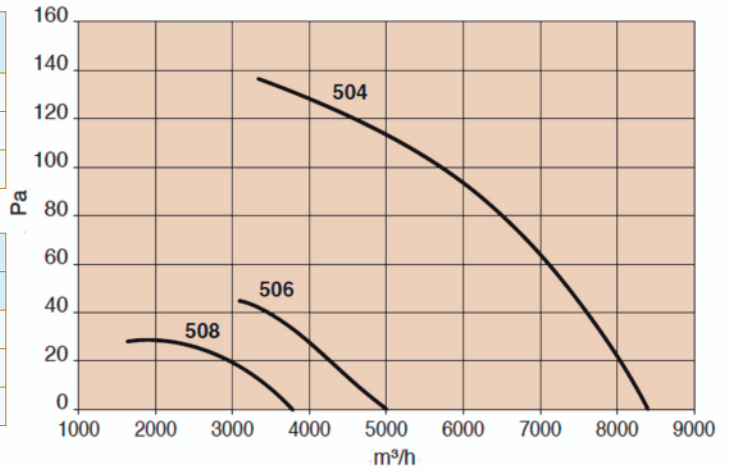
### Technical Data

Air performances measured according to EN ISO 5801/AMCA 210 standard with air density of 1.2 kg/m<sup>3</sup> specific weight. Power supply 230V/1Ph/50Hz or 400V/3Ph/50Hz. Sound pressure dB(A) at 3 metres from inlet side.

Model No	Phase	Poles	Power kW	In Amps	IP/CL	Mot (Gr)
PA504T*	T	4	0.55	1.60	55/F	80
PA506T*	T	6	0.18	0.66	55/F	80
PA508T	T	8	0.12	0.71	55/F	71

\* models not available for EU market

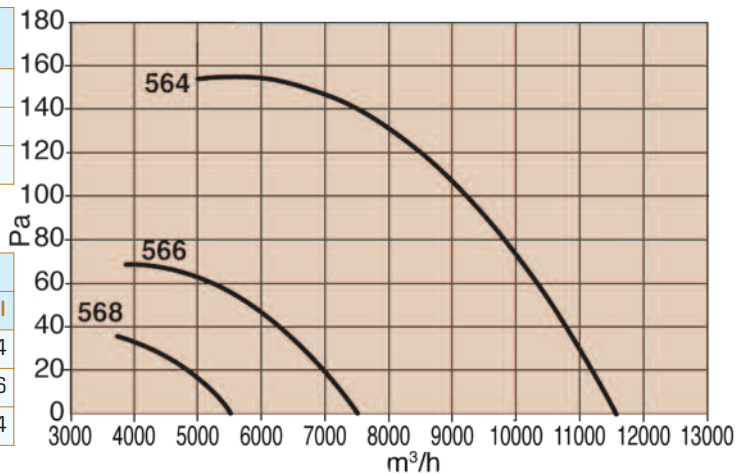
Mid Octave Frequency Band / Hz - dB(A)									
Model	63	125	250	500	1000	2000	4000	8000	Total
PA504	51.2	52.2	60.2	62.2	59.2	56.2	59.2	46.2	67.1
PA506	39.2	49.2	47.2	48.2	48.2	50.2	45.2	37.2	56.3
PA508	34.2	40.2	40.2	40.2	42.2	43.2	39.2	29.2	49.1



Model No	Phase	Poles	Power kW	In Amps	IP/CL	Mot (Gr)
PA564T*	T	4	0.75	1.90	55/F	80
PA566T*	T	6	0.25	0.87	55/F	71
PA568T	T	8	0.12	0.71	55/F	71

\* models not available for EU market

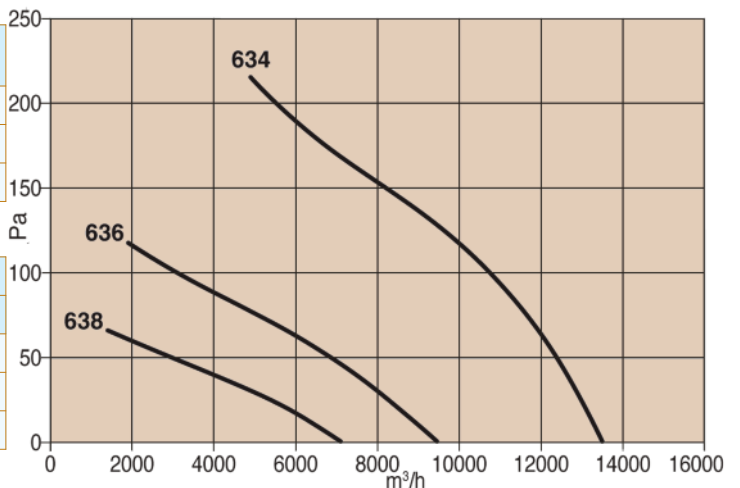
Mid Octave Frequency Band / Hz - dB(A)									
Model	63	125	250	500	1000	2000	4000	8000	Total
PA564	34.8	55.8	66.3	64.8	63.8	63.8	60.8	51.8	71.4
PA566	26.0	47.0	57.5	56.0	55.0	55.0	52.0	43.0	62.6
PA568	19.7	40.7	51.2	49.7	48.7	48.7	45.7	36.7	56.4



Model No	Phase	Poles	Power kW	In Amps	IP/CL	Mot (Gr)
PA634T*	T	4	1.10	2.50	55/F	90
PA636T*	T	6	0.37	1.20	55/F	80
PA638T*	T	8	0.25	1.10	55/F	80

\* models not available for EU market

Mid Octave Frequency Band / Hz - dB(A)									
Model	63	125	250	500	1000	2000	4000	8000	Total
PA634	38.8	54.8	65.8	66.8	68.8	70.1	64.8	56.8	74.8
PA636	30.0	46.0	57.0	58.0	60.0	61.3	56.0	48.0	66.0
PA638	23.7	39.7	50.7	51.7	53.7	55.0	49.7	41.7	59.8



# PLATE AXIAL FANS

## PA - Plate Mounted Axial Fan

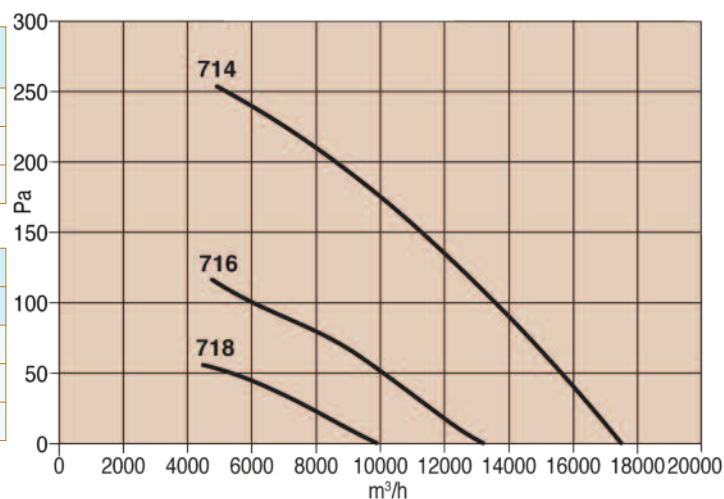
### Technical Data

Air performances measured according to EN ISO 5801/AMCA 210 standard with air density of 1.2 kg/m<sup>3</sup> specific weight. Power supply 230V/1Ph/50Hz or 400V/3Ph/50Hz. Sound pressure dB(A) at 3 metres from inlet side.

Model No	Phase	Poles	Power kW	In Amps	IP/CL	Mot (Gr)
PA714T*	T	4	2.20	4.80	55/F	100
PA716T*	T	6	0.75	2.01	55/F	90
PA718T*	T	8	0.37	1.41	55/F	90

\* models not available for EU market

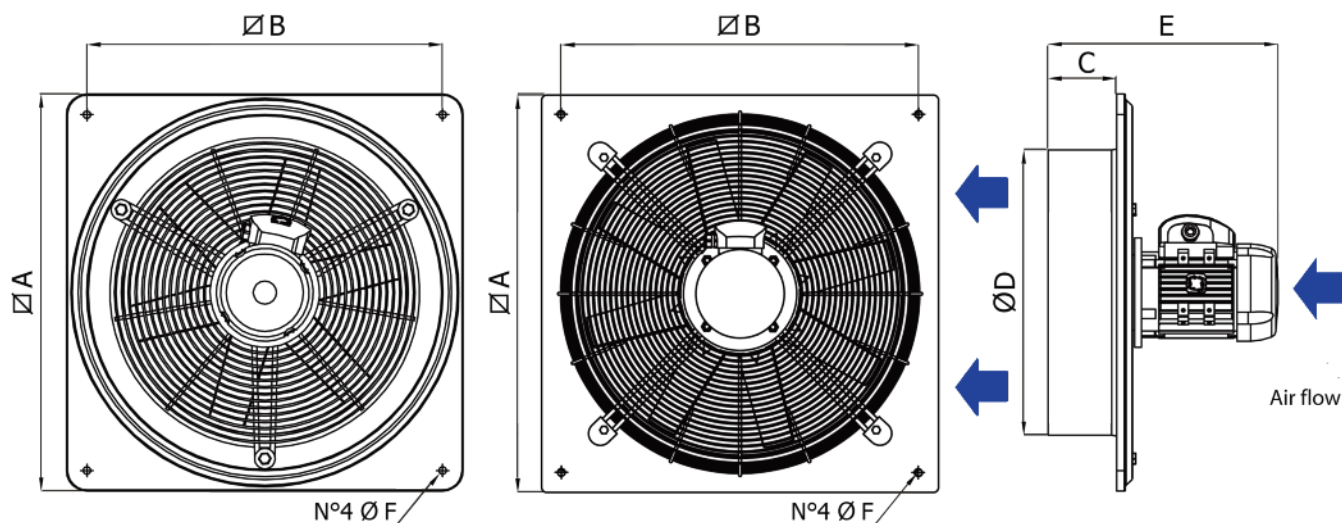
Model	Mid Octave Frequency Band / Hz - dB(A)								
	63	125	250	500	1000	2000	4000	8000	Total
PA714	40.8	53.8	65.8	68.8	74.8	76.8	70.8	61.8	80.1
PA716	31.8	51.8	56.8	55.8	60.8	63.8	56.8	44.8	84.6
PA718	33.3	44.8	52.8	51.8	53.8	55.8	46.8	33.8	60.2



### Dimensions (mm)

#### PA200 - PA560

#### PA630 - PA710



Model	A	B	C	ØD	E	ØF	kg
PA200	345	305	44	215	210	8.5	5
PA250	400	350	57	265	225	8.5	7
PA310	465	405	77	312	285	10	11
PA350	525	465	90	365	315	10	12
PA400	580	520	100	413	325	10	14
PA450	630	570	107	457	370	10	18
PA500	700	640	137	512	405	10	22
PA560	765	695	122	569	385	10	25
PA630	800	730	93	640	385	12	26
PA710	850	800	93	710	440	12	35

# PLATE AXIAL FANS

## PAP - Compact, High Efficiency Axial Fans



### Description

PAP range are axial fans suitable for wall or panel installation in residential, commercial or industrial buildings where reduced dimensions or adjustable performances are required. The range consists of models with impeller diameters from 200mm to 710mm.

These fans are suitable for operation in clean air in the temperatures ranging from -25°C to +60°C.

The inlet cone has been designed to reduce noise and increase efficiency.

### Construction

- Supporting frame in drawn galvanized sheet steel, with radius inlet cone. Sizes 630 and 710 with supporting frame in drawn steel sheet, with epoxy coated radius inlet cone.
- Helical impeller with sickle-shaped blades in technopolymer (200-400) or die-cast aluminum alloy (450-710) directly attached to the motor rotor.
- Impeller is directly coupled to motor shaft.
- Airflow from motor to impeller.
- Inlet protection guard and motor support on models 200, 250, 630 and 710 in steel rod and on models 310-560 in epoxy powder coated steel. Complies with EN ISO 12499.

### Motor

- External rotor motor with built-in thermal protection and suitable for adjustable, three phase double speed (delta-star  $Y^{\sim}$ ) or single-phase.
- Standard configuration "partly completed machinery" to Directive 2006/42/EC.

### Accessories

- External Gravity shutter
- Spacer manufactured in epoxy painted steel sheet.
- Protection Guard manufactured according to UNI ISO 12499 standard and protected against atmospheric agents

### Also available

- Reverse airflow version



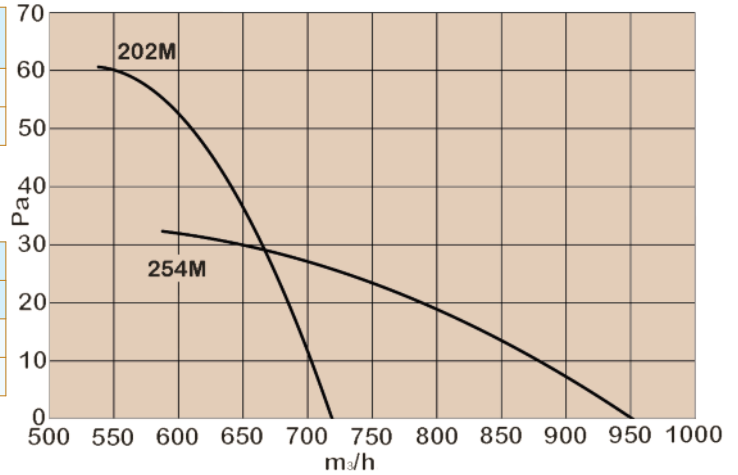
# PLATE AXIAL FANS

## PAP -Compact, High Efficiency Axial Fans

### Technical Data

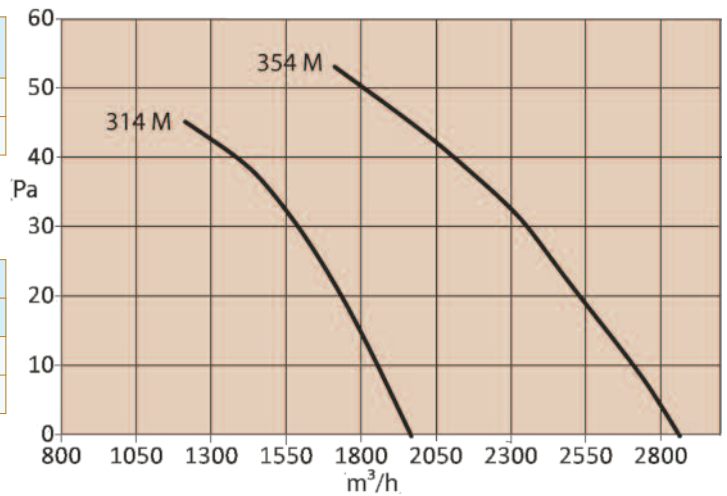
Air performances measured according to EN ISO 5801/AMCA 210 standard with air density of 1.2 kg/m<sup>3</sup> specific weight. Power supply 230V/1Ph/50Hz or 400V/3Ph/50Hz. Sound pressure dB(A) at 3 metres from inlet side.

Model No	Phase	Poles	Power kW	In Amps	?? (µF)	IP/CL
PAP202M	M	2	0.08	0.38	1.5	54/F
PAP254M	M	4	0.05	0.24	1.5	54/F



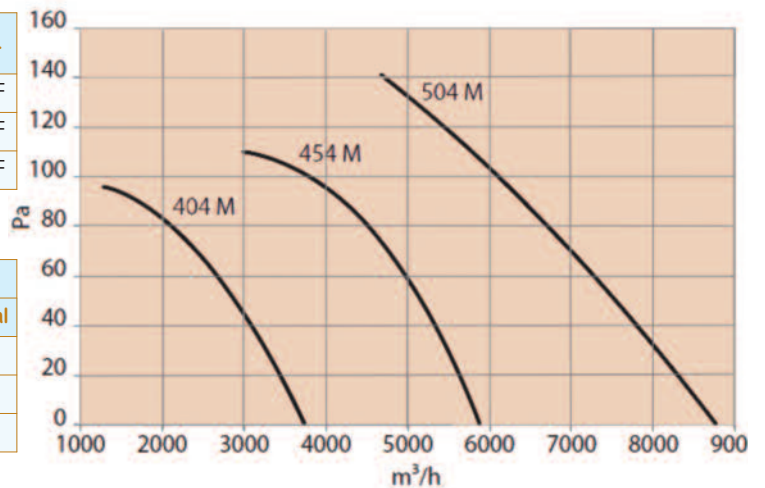
Mid Octave Frequency Band / Hz - dB(A)									
Model	63	125	250	500	1000	2000	4000	8000	Total
PAP202	20	24	32	35	41	44	40	34	48
PAP254	9	26	25	33	34	35	32	23	40

Model No	Phase	Poles	Power kW	In Amps	?? (µF)	IP/CL
PAP314M	M	4	0.10	0.42	3	54/F
PAP354M	M	4	0.12	0.56	5	54/F



Mid Octave Frequency Band / Hz - dB(A)									
Model	63	125	250	500	1000	2000	4000	8000	Total
PAP314	9	29	31	33	36	41	37	25	44
PAP354	15	36	32	36	40	42	37	27	46

Model No	Phase	Poles	Power kW	In Amps	?? (µF)	IP/CL
PAP404M	M	4	0.24	1.05	5	54/F
PAP454M	M	4	0.60	2.90	7	44/F
PAP504M	M	4	0.72	3.20	16	54/F



Mid Octave Frequency Band / Hz - dB(A)									
Model	63	125	250	500	1000	2000	4000	8000	Total
PAP404	18	39	42	43	46	46	41	30	47
PAP454	18	42	44	51	49	50	50	41	57
PAP504	22	42	42	46	49	51	46	37	55





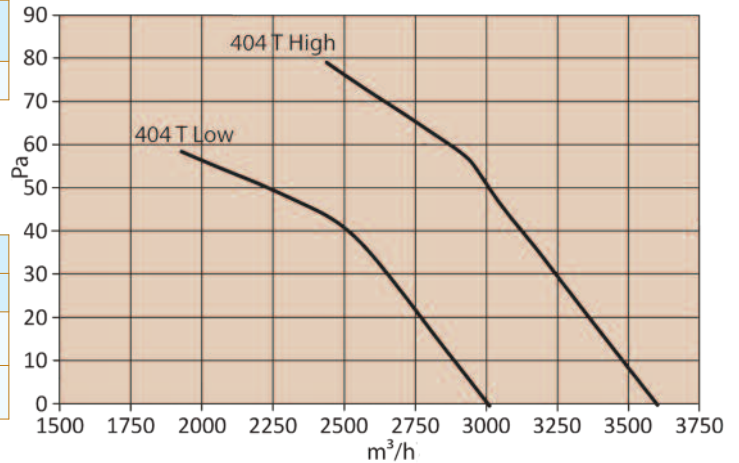
# PLATE AXIAL FANS

## PAP -Compact, High Efficiency Axial Fans

### Technical Data

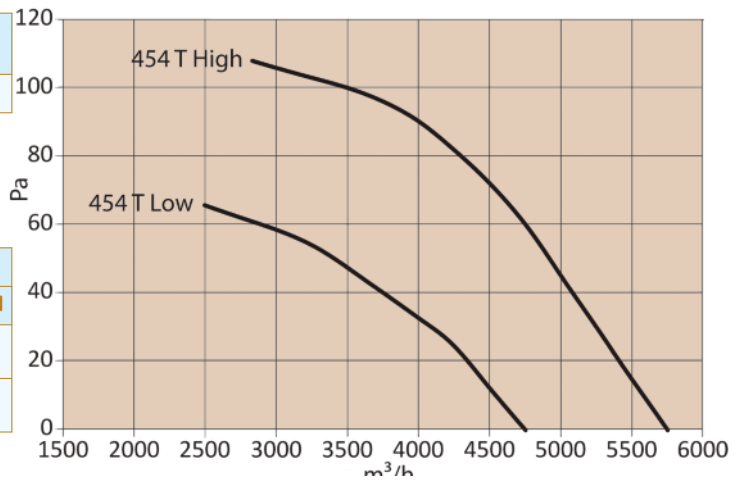
Air performances measured according to EN ISO 5801/AMCA 210 standard with air density of 1.2 kg/m<sup>3</sup> specific weight. Power supply 230V/1Ph/50Hz or 400V/3Ph/50Hz. Sound pressure dB(A) at 3 metres from inlet side.

Model No	Phase	Poles	Power kW	In Amps	IP/CL
PAP404T	T	4	0.23/0.17	0.46/0.27	54/F



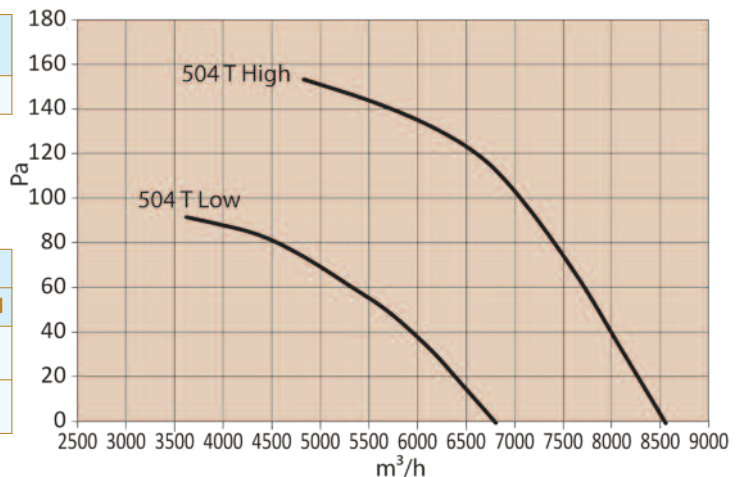
Mid Octave Frequency Band / Hz - dB(A)									
Model	63	125	250	500	1000	2000	4000	8000	Total
PAP404 Low Sp	17	33	33	39	42	42	37	27	47
PAP404 High Sp	18	36	37	42	46	46	41	31	51

Model No	Phase	Poles	Power kW	In Amps	IP/CL
PAP454T	T	4	0.54/0.36	1.10/0.66	44/F



Mid Octave Frequency Band / Hz - dB(A)									
Model	63	125	250	500	1000	2000	4000	8000	Total
PAP454 Low Sp	15	34	33	46	47	49	42	33	52
PAP454 High Sp	17	40	37	44	51	52	48	39	56

Model No	Phase	Poles	Power kW	In Amps	IP/CL
PAP504T	T	4	0.84/0.54	1.45/0.96	54/F



Mid Octave Frequency Band / Hz - dB(A)									
Model	63	125	250	500	1000	2000	4000	8000	Total
PAP504 Low Sp	15	37	43	43	48	50	44	35	54
PAP504 High Sp	19	43	41	47	52	54	51	41	58



# PLATE AXIAL FANS

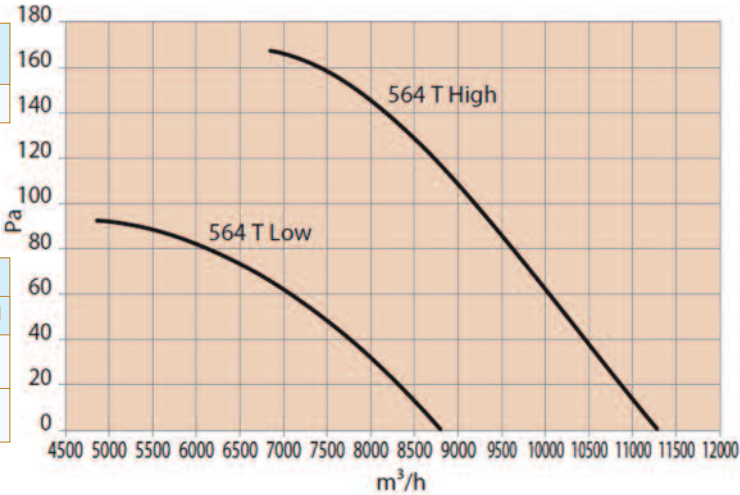
## PAP -Compact, High Efficiency Axial Fans

### Technical Data

Air performances measured according to EN ISO 5801/AMCA 210 standard with air density of 1.2 kg/m<sup>3</sup> specific weight. Power supply 230V/1Ph/50Hz or 400V/3Ph/50Hz. Sound pressure dB(A) at 3 metres from inlet side.

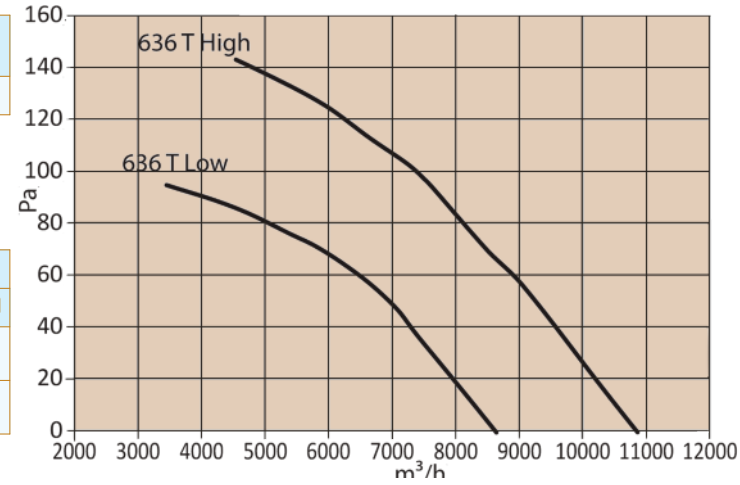
Model No	Phase	Poles	Power kW	In Amps	IP/CL
PAP564T	T	4	1.05/0.58	2.20/1.10	54/F

Mid Octave Frequency Band / Hz - dB(A)									
Model	63	125	250	500	1000	2000	4000	8000	Total
PAP564 Low Sp	26	40	41	47	52	52	47	39	57
PAP564 High Sp	29	48	47	53	57	57	54	45	62



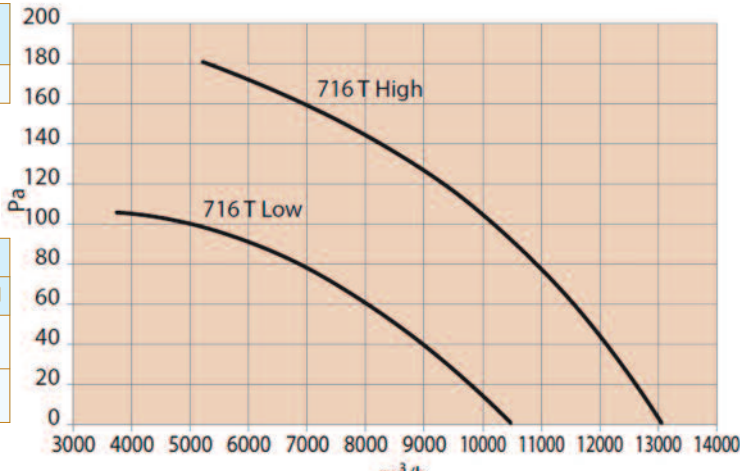
Model No	Phase	Poles	Power kW	In Amps	IP/CL
PAP636T	T	6	0.62/0.44	1.25/0.72	54F

Mid Octave Frequency Band / Hz - dB(A)									
Model	63	125	250	500	1000	2000	4000	8000	Total
PAP636 Low Sp	15	27	34	39	46	46	39	30	50
PAP636 High Sp	16	37	38	42	48	49	43	34	53



Model No	Phase	Poles	Power kW	In Amps	IP/CL
PAP716T	T	6	0.94/0.62	1.75/1.05	54/F

Mid Octave Frequency Band / Hz - dB(A)									
Model	63	125	250	500	1000	2000	4000	8000	Total
PAP716 Low Sp	18	34	36	40	45	46	39	30	50
PAP716 High Sp	16	35	40	43	48	48	44	34	53

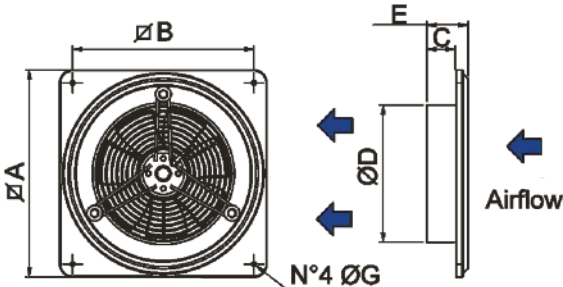




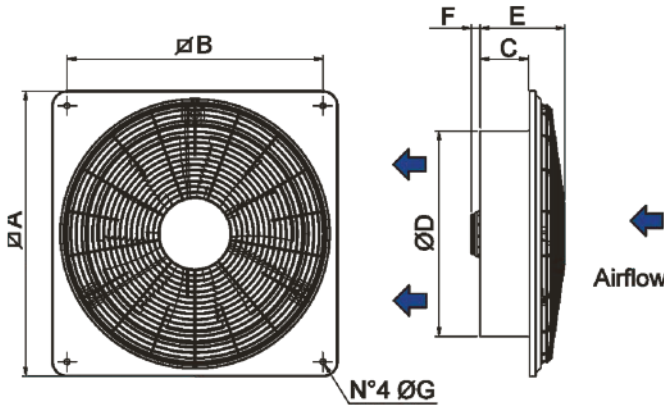
# PLATE AXIAL FANS

## PAP -Compact, High Efficiency Axial Fans

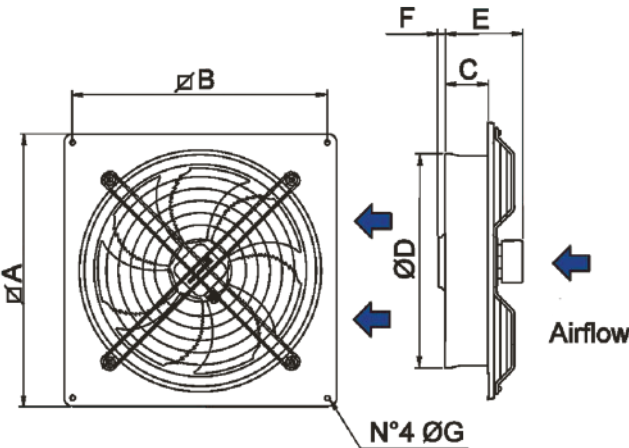
### Dimensions (mm)



**PAP200 - 250**



**PAP310 - 350 - 400 -  
450 - 500 - 560**



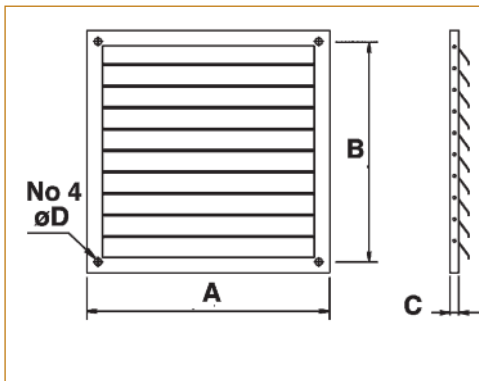
**PAP630 - 710**

Model	A	B	C	$\varnothing D$	E	F	G	kg
PAP200	345	305	44	215	76	-	8.5	2.6
PAP250	400	350	57	265	80	-	8.5	3.2
PAP310	465	405	77	312	151	-	10	4.5
PAP350	525	465	90	365	167	-	10	6
PAP400	580	520	100	413	172	-	10	9
PAP450	630	570	107	457	210	33	10	15
PAP500	700	640	137	512	239	23	10	17.5
PAP560	765	695	122	569	217	42	10	22.5
PAP630	800	730	93	643	210	67	12	20.9
PAP710	850	800	93	719	180	28	12	28.6

# PLATE AXIAL FANS

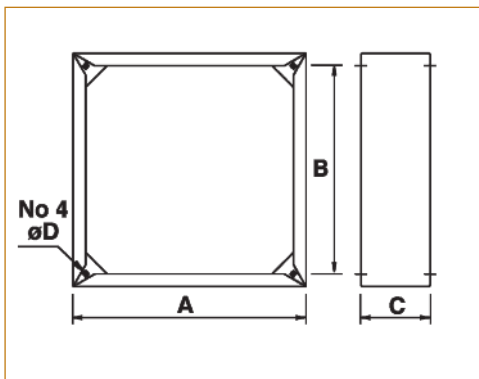
## Accessories

### Gravity Grilles



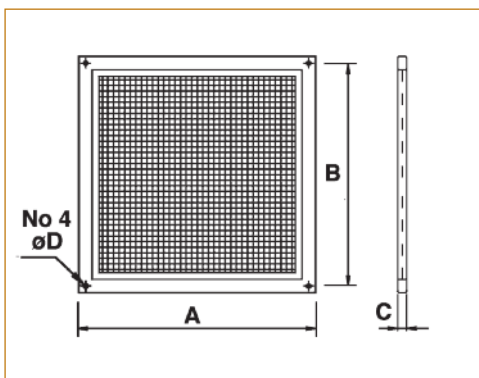
Model	Gravity Grilles	A	B	C	ØD	kg
200	GG20	275	250	10	10	1.0
250	GG25	325	300	10	10	1.5
310	GG31	375	350	10	10	2.0
350	GG35	425	400	10	10	2.5
400	GG40	475	450	10	10	3.0
450	GG45	530	500	15	10	3.5
500	GG50	630	600	15	10	4.0
560	GG56	660	630	15	10	4.5
630	GG63	760	730	15	10	5.5
710	GG71	830	800	15	10	6.0

### Spacers



Model	Spacers	A	B	C	ØD	kg
200	SP20	340	250	70	M6	1.8
250	SP25	390	300	70	M6	2.2
310	SP31	445	350	100	M6	3.0
350	SP35	510	400	100	M6	3.4
400	SP40	560	450	120	M6	4.6
450	SP45	610	500	120	M6	5.0
500	SP50	680	600	150	M8	5.4
560	SP56	750	630	150	M8	6.6
630	SP63	790	729	210	M8	9.8
710	SP71	840	800	150	M8	6.5

### Protection Guards



Model	Protection Guards	A	B	C	ØD	kg
200	PG20	275	250	10	10	1.3
250	PG25	325	300	10	10	1.5
310	PG31	375	350	10	10	1.9
350	PG35	425	400	10	10	2.3
400	PG40	475	450	10	10	2.7
450	PG45	530	500	15	10	2.8
500	PG50	630	600	15	10	4.0
560	PG56	660	630	15	10	4.6
630	PG63	760	730	15	10	5.3
710	PG71	830	800	15	10	6.0

**Vectaire Ltd**

Lincoln Road  
Cressex Business Park  
High Wycombe  
Buckinghamshire  
HP12 3RH

Tel: +44(0)1494 522333  
Fax: +44(0)1494 522337

Email: [sales@vectaire.co.uk](mailto:sales@vectaire.co.uk)

Web: [www.vectaire.co.uk](http://www.vectaire.co.uk)

